

**Idea  
Ambient unit on cupboard (1GN)  
with wheels, overshelf with LED  
lights, H=900mm**

ITEM # \_\_\_\_\_

MODEL # \_\_\_\_\_

NAME # \_\_\_\_\_

SIS # \_\_\_\_\_

AIA # \_\_\_\_\_

**322044 (F00N1AW00S)**

Ambient Unit on cupboard (1 GN) with wheels and two stainless steel tray sliders, H=900mm

**Short Form Specification**

Item No. \_\_\_\_\_

Compact design, ideal for space saving environments. AISI 304 Foldable tray sliders on long sides. Unit mounted on 125 mm wheels 2 swivel and 2 with brakes. Top provides ample displaying or workspace surface. Sturdy body construction with laminated panelings on 4 sides. 900mm worktop height.

**Main Features**

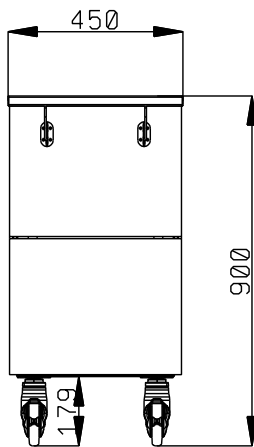
- Perfect compact design makes it ideal for space saving environments.
- CB and CE certified by a third party notified body.
- Soft closing doors on operator side.
- Available options with online configurator: colors, tray sliders, overshelves, feet/wheels with desired diameter, height 750mm for kids.
- Top provides ample displaying or workspace surface.
- Optional plinth can be installed to cover the feet or the wheels.
- AISI 304 Tray slider in flush mounted stainless steel is installed on long sides and they can also be folded down to facilitate passage of the units through doorways.
- Ideal for servery lines without an operator.
- Unit mounted on 125 mm wheels 2 swivel and 2 with brakes.
- Food introduced at the correct temperature maintains its core temperature according to Afnor Standards.
- Available dimensions: 1, 2, 3, 4 GN.

**Construction**

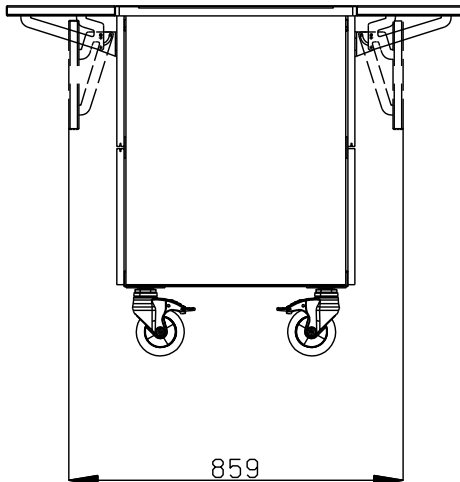
- Top in AISI 304.
- Sturdy construction with laminated panelings on 4 sides.

APPROVAL: \_\_\_\_\_

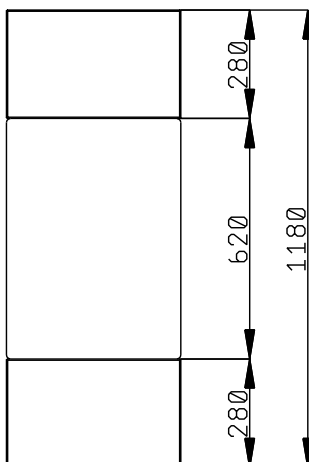
**Front**



**Side**



**Top**



**Key Information:**

|                              |                     |
|------------------------------|---------------------|
| N° of doors:                 | 1                   |
| 322044 (F00N1AW00S)          |                     |
| External dimensions, Width:  | 450 mm              |
| External dimensions, Depth:  | 1180 mm             |
| External dimensions, Height: | 900 mm              |
| Net weight:                  | 48 kg               |
| Shipping height:             | 930 mm              |
| Shipping width:              | 470 mm              |
| Shipping depth:              | 880 mm              |
| Shipping volume:             | 0.38 m <sup>3</sup> |